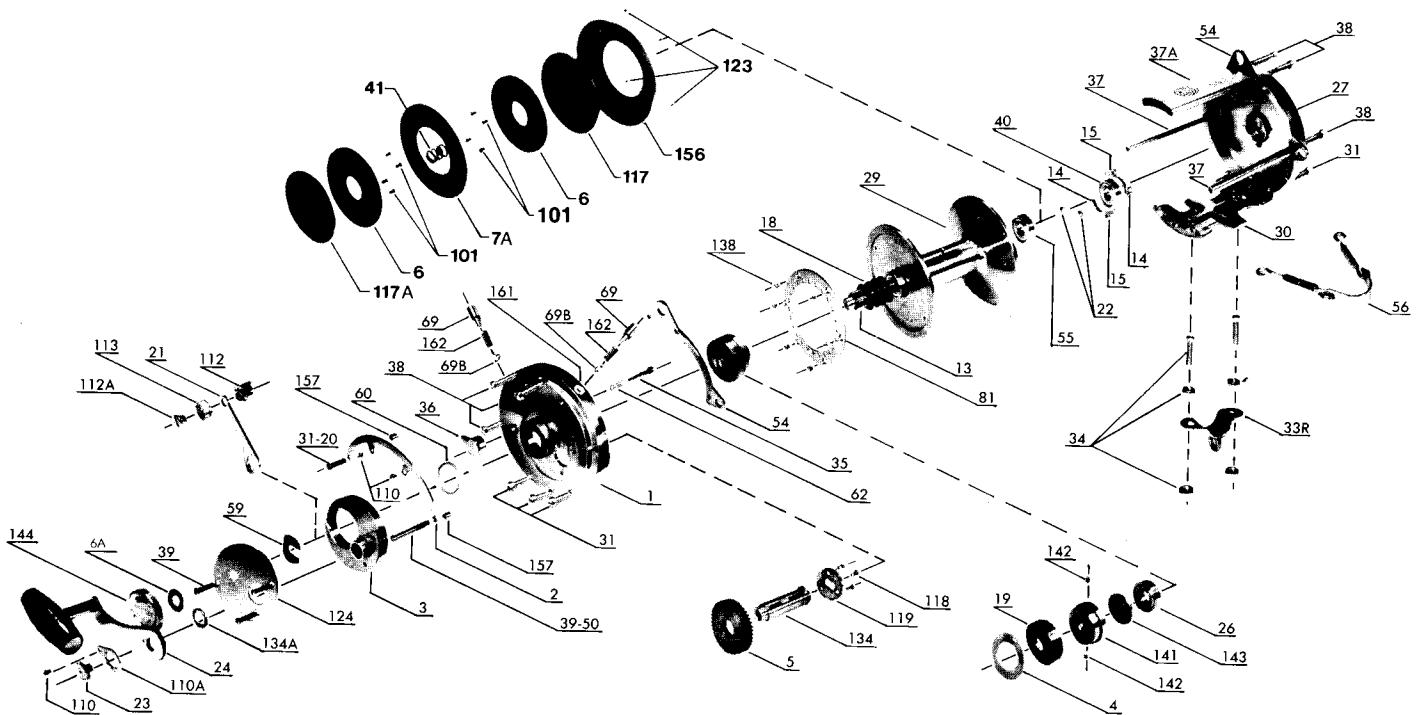




PARTS AND PRICE LIST FOR INTERNATIONAL 80 AND 80W



Key No.	Part No.	Description	Price	Key No.	Part No.	Description	Price
1	1-80	Right Side Plate Assembly	\$103.15	39-50	39-50	Special Post Screw Long	\$.85
2	2-80	Quadrant Ring	8.30	40	55-80	Left Side Bearing	18.00
3	3-80	Bridge Assembly	15.90	41	41-50	Left Side Bearing Spring	.70
4	4-80	Cam Thrust Washer	.95	54	54-80	Harness Lugs (2)	7.95
5	5-80	Main Gear	11.70	55	55-80	Spool Bearing (2)	18.00
6	6-50	Drag Washer	11.30	56C	56C-116	Rod Brace (Complete)	13.25
6A	6-155	Spacer Washer	.50	59	59-50	Slotted Washer	.70
7A	7A-80	Floating Drag Washer	11.50	60	60-50	Backing Washer	.70
9	9-80	Spacing Sleeve (N/S)	.95	62	62-50	Click Spring	.70
13	13-80	Pinion Gear	37.00	69	69-50	Locating Pins (2)	.95
	13-80W	Pinion Gear	39.70	69B	69B-50	Retaining Rings (2)	.70
14	14-50	Flat Dog Spring	.45	81	*81-80S	Ratchet	5.75
15	15-50	Dog	.70	95	95-80	Click Tongue Bushing (N/S)	1.90
18	18-80W	Disc Clutch Spring	.85	95B	38-710	Click Bushing Nut (N/S)	.45
18A	95A-20	Click Bushing Washer (N/S)	.50	101	101-30	Drive Plate Screws (8)	.40
19	19-80	Eccentric Cam	7.30	110	110-50	Handle Lock Screws (3)	.45
21	21-80	Eccentric Cam Lever	6.60	110A	110A-50	Handle Locking Plate	1.05
22	22-109	Dog Spring Screw	.45	112	112-50	Eccentric Lever Knob	13.95
23	23-116	Handle Screw	2.65	112A	112A-50	Eccentric Knob Screw	.75
24	24-80	Handle	13.25	113	113-50	Eccentric Lever Cap	4.20
26	55-80	Right Side Bearing	18.00	117	117-80	Drive Plate (Outer)	16.40
27	27-80	Left Side Plate	95.50	117A	117A-80	Drive Plate (Inner)	13.50
29	29L-80S	Spool	119.00	118	118-80	Main Gear Plate Screw	.45
	29L-80SW	Spool	132.00	119	119-80	Main Gear Plates	.95
30	30-80	Stand	13.95	123	123-50	Drag Cover Screws (4)	.35
	30-80W	Stand	16.40	124	124-80	Bridge Cover	5.25
31	31-80	Stand Screws (6)	.40	134	134-80	Gear Stud	6.45
31-20	31-20	Quadrant Screw Short	.40	134A	134A-80	Gear Stud Washer	.95
33R	33R-116	Ringed Rod Clamp	13.25	138	101-30	Ratchet Screws (6)	.40
34	34-116	Rod Clamp Screw w/Nuts	5.90	141	141-80	Cam Follower	5.70
35	35-80	Click Tongue	1.05	142	142-80	Cam Follower Pin	.45
36	36-50	Click Button	2.00	143	143-80	Adjusting Screw	2.45
36A	36-700	Click Button Nut	.70	144	144-50	Pre-Set Knob	5.90
37	37-80	Frame Post	2.55	149	149-116H	Rod Clamp Hex Nut	.80
	37-80W	Frame Post	3.10	152A	149-116L	Rod Clamp Nut	.80
37A	37A-80	Spacer Bar	13.25	156	156-80	Drag Cover	4.80
	37A-80W	Spacer Bar	15.75	157	157-50	Quadrant Spacer Bushing	.45
38	38-80	Post Screws (7)	.45	161	161-50	Locating Pin Bushings (2)	.95
39	39-12	Bridge Screws (3)	.45	162	162-50	Locating Pin Springs (2)	.40

*NOTE: Order #81-80 for old style spools — 29L-80 — 29L-80W